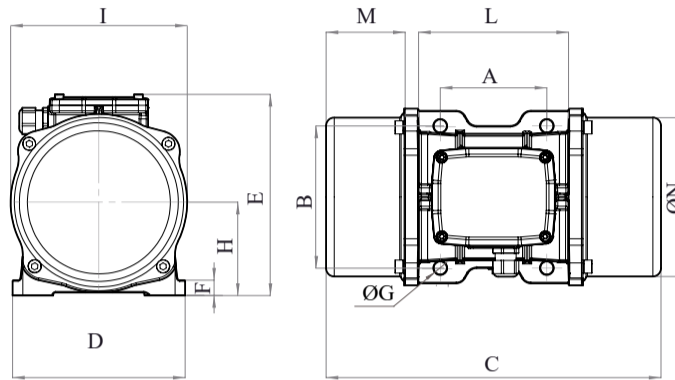




MVE 12260/4E-80A0 (EE40550080A0LA000U)

3 PH - 4 poles - 1800 RPM - 230/460 V - 60 Hz

Working moment (Lb*in)	Unbalance (Lb*in)	Centrifugal force (Lb)	Nominal voltage (V)	Input power (Hp)	Current (A)	Power factor	Ia/In
263.66	131.83	12,114.39	230/460	4.63	Δ 11 Y 5.5	0.79	7.2



*Technical drawings are illustrative purposes only, please refer to 2D/3D drawings available on "FINDER" app. Contact us for more information.

OVERALL DIMENSIONS [inches]

Weight (Lb)	A	B	G	Holes number	C	D	E	F	H	I	L	M	N
372.58	7.09	11.02	1.02	4	23.74	13.07	13.94	1.26	6.69	12.99	12.28	5.63	12.24

TECHNICAL FEATURES

Type of grease	Greased for life	Screw	Washer	Clamping torque (Ft-Lb)	Cable type	Cable gland
Please refer to the label on the motorvibrator	Yes	15/16"	0.938"x1.750"	512.95	12-4c 105°C	/

BEARINGS LIFE HOURS

Bearing model	Type	100% C.F	80% C.F	50% C.F
NJ 2315		26143	55003	>100000

CERTIFICATION

ATEX II2 D Ex tb IIIC Tx Db IP66 IECEx Ex tb IIIC Tx Db IP66 CLASS II DIV.2 GROUP F,G T4 Ex tb IIIC Tx Db IP66 [Tx Size Micro,10-30:100°C - Tx Size 40-91:135°C] CONF TO UL1004-3, UL1004-1, UL 60079-0, UL60079-31 CERT. CSA C22.2 No.100, CSA C22.2 No.77, CSA C22.2N.60079-0, CSA C22.2N. 60079-31 T.Amb -20/+40°C	
---	----------

REV.2-11/08/2022

Dimension with coarse degree of accuracy related to UNI 22768/1 Rights reserved to modify technical specifications.

