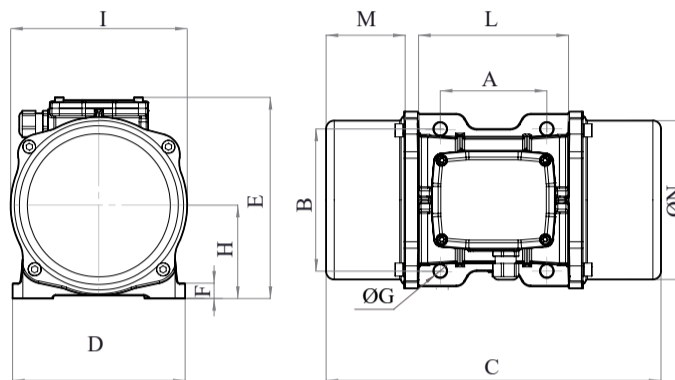




# MVE 1540/4E-50A0 (EE40071050A0LA000U)

3 PH - 4 poles - 1800 RPM - 230/460 V - 60 Hz

| Working moment (Lb*in) | Unbalance (Lb*in) | Centrifugal force (Lb) | Nominal voltage (V) | Input power (Hp) | Current (A) | Power factor | Ia/In |
|------------------------|-------------------|------------------------|---------------------|------------------|-------------|--------------|-------|
| 34.17                  | 17.09             | 1,569.69               | 230/460             | 0.98             | Δ 2.4 Y 1.2 | 0.76         | 3.4   |



\*Technical drawings are illustrative purposes only, please refer to 2D/3D drawings available on "FINDER" app. Contact us for more information.

| OVERALL DIMENSIONS [inches] |      |      |      |              |       |      |      |      |      |      |      |      |      |
|-----------------------------|------|------|------|--------------|-------|------|------|------|------|------|------|------|------|
| Weight (Lb)                 | A    | B    | G    | Holes number | C     | D    | E    | F    | H    | I    | L    | M    | N    |
| 59.52                       | 4.72 | 6.69 | 0.67 | 4            | 15.39 | 8.19 | 8.27 | 0.87 | 3.78 | 7.28 | 7.56 | 3.82 | 6.69 |

| TECHNICAL FEATURES                             |                  |       |               |                         |             |             |
|--|------------------|-------|---------------|-------------------------|-------------|-------------|
| Type of grease                                 | Greased for life | Screw | Washer        | Clamping torque (Ft-Lb) | Cable type  | Cable gland |
| Please refer to the label on the motorvibrator | Yes              | 5/8"  | 0.656"x1.312" | 136.35                  | 16-4c 120°C | /           |

| BEARINGS LIFE HOURS |      |          |         |         |
|---------------------|------|----------|---------|---------|
| Bearing model       | Type | 100% C.F | 80% C.F | 50% C.F |
| NJ 306              |      | 46440    | 97706   | >100000 |

| CERTIFICATION  |          |
|--|----------|
| ATEX II2 D Ex tb IIIC Tx Db IP66<br>IECEx Ex tb IIIC Tx Db IP66<br>CLASS II DIV.2 GROUP F,G T4<br>Ex tb IIIC Tx Db IP66<br>[Tx Size Micro,10-30:100°C - Tx Size 40-91:135°C]<br>CONFTO UL1004-3, UL1004-1, UL 60079-0, UL60079-31<br>CERT. CSA C22.2 No.100, CSA C22.2 No.77, CSA C22.2N.60079-0, CSA C22.2N.<br>60079-31<br>T.Amb -20/+40°C | <br><br> |

REV.1-22/05/2019

Dimension with coarse degree of accuracy related to UNI 22768/1 Rights reserved to modify technical specifications.

