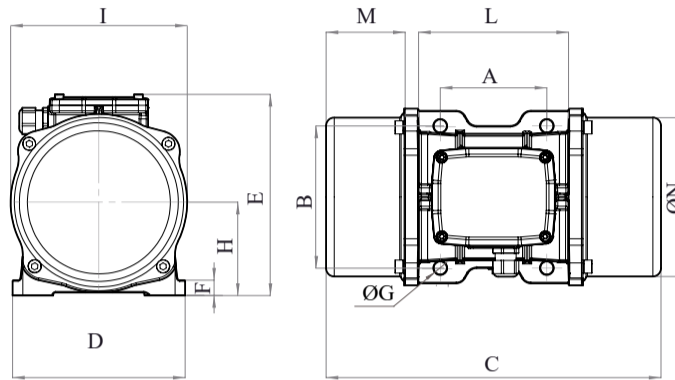




# MVE 6840/4E-70A0 (EE40300070A0LA000U)

3 PH - 4 poles - 1800 RPM - 230/460 V - 60 Hz

Working moment (Lb*in)	Unbalance (Lb*in)	Centrifugal force (Lb)	Nominal voltage (V)	Input power (Hp)	Current (A)	Power factor	Ia/In
147.35	73.68	6,770.39	230/460	3.08	Δ 6.6 Y 3.3	0.88	6.8



\*Technical drawings are illustrative purposes only, please refer to 2D/3D drawings available on "FINDER" app. Contact us for more information.

OVERALL DIMENSIONS (inches)													
Weight (Lb)	A	B	G	Holes number	C	D	E	F	H	I	L	M	N
171.96	6.10	8.86	0.87	4	19.72	10.83	11.42	1.18	5.51	10.08	9.84	4.84	9.29

TECHNICAL FEATURES						
Type of grease	Greased for life	Screw	Washer	Clamping torque (Ft-Lb)	Cable type	Cable gland
Please refer to the label on the motorvibrator	Yes	3/4"	0.812"x1.469"	274.9	14-4c 120°C	/

BEARINGS LIFE HOURS				
Bearing model	Type	100% C.F	80% C.F	50% C.F
NJ 2309		10173	21403	>100000

CERTIFICATION	
ATEX II2 D Ex tb IIIC Tx Db IP66 IECEx Ex tb IIIC Tx Db IP66 CLASS II DIV.2 GROUP F,G T4 Ex tb IIIC Tx Db IP66 [Tx Size Micro,10-30:100°C - Tx Size 40-91:135°C] CONFTO UL1004-3, UL1004-1,UL 60079-0,UL60079-31 CERT. CSA C22.2 No.100,CSA C22.2 No.77, CSA C22.2N.60079-0,CSA C22.2N. 60079-31 T.Amb -20/+40°C	  

REV.4-01/07/2020

Dimension with coarse degree of accuracy related to UNI 22768/1 Rights reserved to modify technical specifications.

