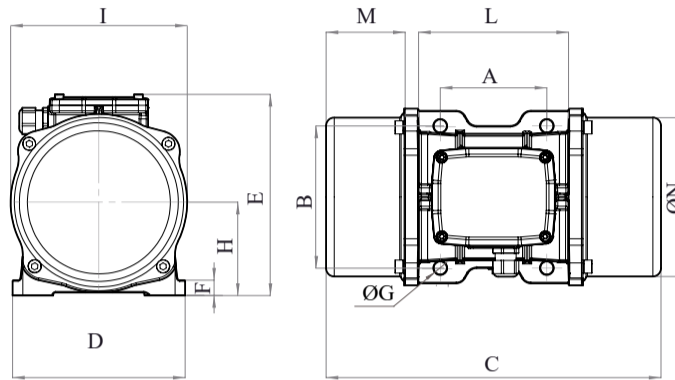




MVE 860/4E-40A0 (EE40040040A0LA000U)

3 PH - 4 poles - 1800 RPM - 230/460 V - 60 Hz

Working moment [Lb*in]	Unbalance [Lb*in]	Centrifugal force [Lb]	Nominal voltage [V]	Input power [Hp]	Current [A]	Power factor	Ia/In
20.3	10.15	932.55	230/460	0.43	Δ 1.72 Y 0.86	0.47	2.7



*Technical drawings are illustrative purposes only, please refer to 2D/3D drawings available on "FINDER" app. Contact us for more information.

OVERALL DIMENSIONS [inches]

Weight [Lb]	A	B	G	Holes number	C	D	E	F	H	I	L	M	N
42.99	4.13	5.51	0.51	4	12.99	6.69	7.72	0.79	3.62	6.85	6.54	3.07	6.30

TECHNICAL FEATURES

Type of grease	Greased for life	Screw	Washer	Clamping torque [Ft-Lb]	Cable type	Cable gland
/	Yes	1/2"	0.531"x1.062"	58.96	13-4c 80°C	M20 80°C

BEARINGS LIFE HOURS

Bearing model	Type	100% C.F	80% C.F	50% C.F
6306 2Z		12237	23901	97898

CERTIFICATION

ATEX II2 D Ex tb IIIC Tx Db IP66 IECEx Ex tb IIIC Tx Db IP66 CLASS II DIV.2 GROUP F,G T4 Ex tb IIIC Tx Db IP66 [Tx Size Micro,10-30:100°C - Tx Size 40-91:135°C] CONFTO UL1004-3, UL1004-1, UL 60079-0, UL60079-31 CERT. CSA C22.2 No.100, CSA C22.2 No.77, CSA C22.2N.60079-0, CSA C22.2N. 60079-31 T.Amb -20/+40°C	
--	------------------

REV.1-22/05/2019

Dimension with coarse degree of accuracy related to UNI 22768/1 Rights reserved to modify technical specifications.

