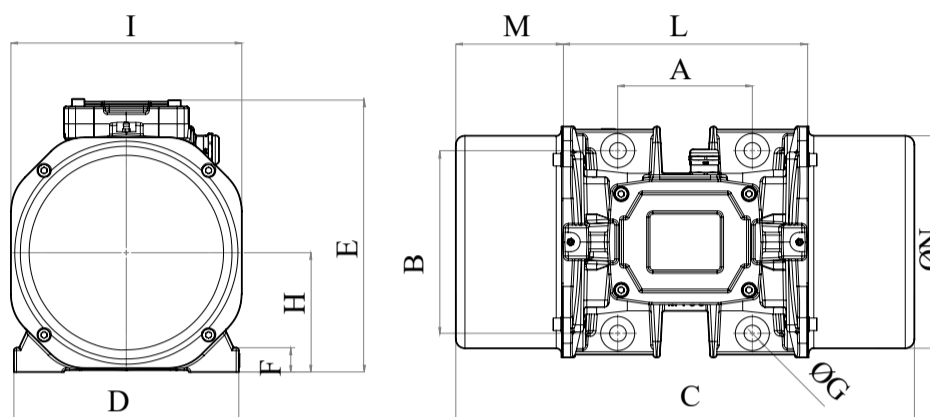




MVE 3100/4D-60A0 (ED40140060A0LA000U)

3 PH - 4 poles - 1800 RPM - 230/460 V - 60 Hz

Working moment (Lb*in)	Unbalance (Lb*in)	Centrifugal force (Lb)	Nominal voltage (V)	Input power (Hp)	Current (A)	Power factor	Ia/In
66.6	33.3	3,060.01	230/460	1.34	Δ 3.6 Y 1.8	0.74	4



*Technical drawings are illustrative purposes only, please refer to 2D/3D drawings available on "FINDER" app. Contact us for more information.

OVERALL DIMENSIONS [inches]													
Weight (Lb)	A	B	G	Holes number	C	D	E	F	H	I	L	M	N
154.98	5.51	7.48	0.67	4	18.78	9.21	11.14	0.98	4.88	9.45	10.00	4.39	8.70

TECHNICAL FEATURES						
Type of grease	Greased for life	Screw	Washer	Clamping torque (Ft-Lb)	Cable type	Cable gland
Please refer to the label on the motorvibrator	Yes	5/8"	0.656"x1.312"	136.35	14-4c 115°C	3/4" NPT 115°C

BEARINGS LIFE HOURS				
Bearing model	Type	100% C.F	80% C.F	50% C.F
NJ 2308		70032	>100000	>100000

CERTIFICATION	
ATEX II 2G Ex db IIB T4 Gb, II 2D Ex tb IIIC T135°C Db IECEX Ex db IIB T4 Gb Ex tb IIIC T135°C Db UL CLASS I Div.1 GROUP C,D T4 T.Amb -20/+60°C IP66	

REV.4-20/05/2021

Dimension with coarse degree of accuracy related to UNI 22768/1 Rights reserved to modify technical specifications.

